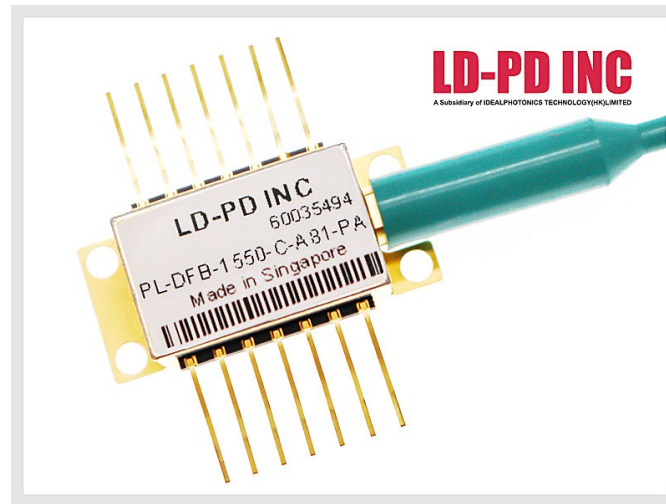


1550nm high power DFB Laser diode (Low Current Wavelength tuning Tuning coefficient)



Description:

The PL-DFB-1550-C-A81 1550nm Ultra High power and Narrow linewidth DFB laser diode module made by LD-PD is a cost effective with output fiber up to 60mw, highly coherent laser source. Which typical narrow linewidth at 500KHZ. The DFB laser diode chip is packaged in an industry standard hermetically sealed 14 pin butterfly package with TEC and PD Built in.

Features:

- Narrow Linewidth < 2MHz
- Excellent wavelength control and stability
- Industry Standard 14 pin Butterfly package
- Mode-Hop free tuning
- Excellent reliability
- Customer specific wavelengths available

Application:

- Tunable diode laser absorption spectroscopy
- Lidar
- Long distance Fiber Communication

Kokyo

株式会社 光響

Email : info@symphotony.com
Web : <https://www.symphotony.com/>

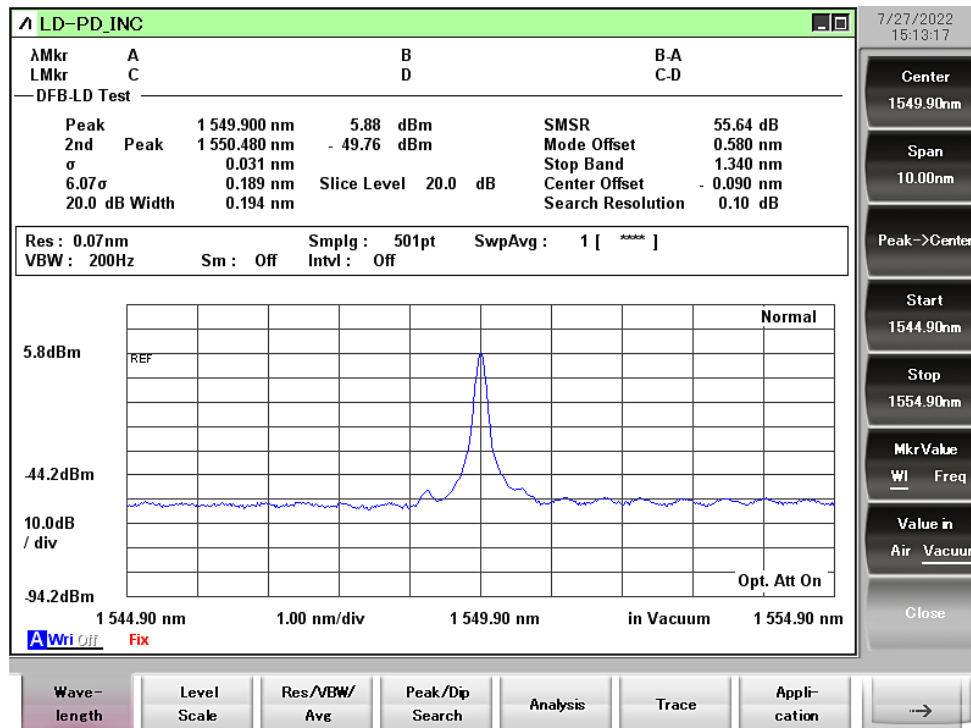
Headquarters: 288, Woolands Loop, #04-00, Singapore 738100

E/O Characteristics:

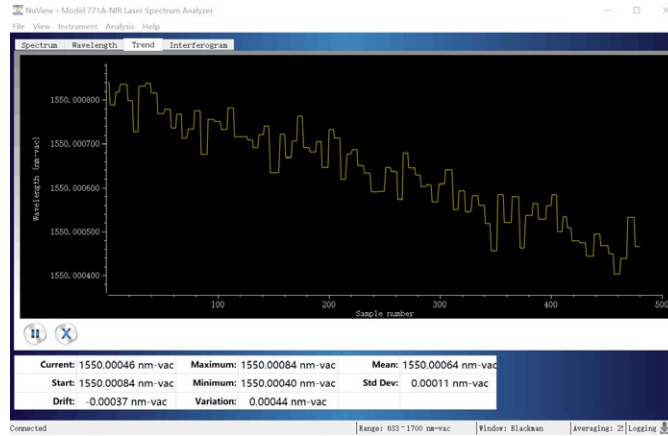
Electrical/Optical Characteristics (Tsub=25°C, CW bias unless stated otherwise)

Parameter	Symbol	Min	Typ	Max	Unit
Centre Wavelength	λ	1549.5	1550.0	1550.5	nm
Side Mode Suppression Ratio	SMSR	30	40		dB
Threshold Current	I _{th}		20	30	mA
Operating Current	I _{op}		280	300	mA
Chip output Power	P _f	50	60	100	mW
Quantum Efficiency	η	0.08	0.12		mW/mA
Current Tuning Coefficient	$\Delta\lambda/\Delta I$		0.005		nm/mA
Temperature Tuning Coefficient	$\Delta\lambda/\Delta T$		0.12		nm/K
Forward Voltage	V _f		1.3	2	V
Thermistor Resistance	RT	9.5	10	10.5	K Ω
Thermistor Temp. Coefficient			-4.4		%/°C
Connector	FC/APC				

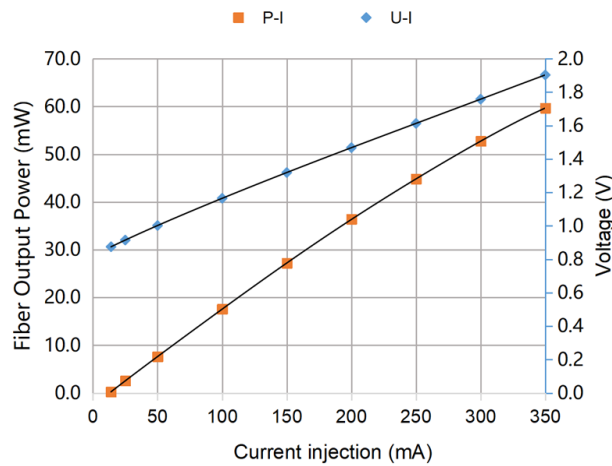
Spectrum:



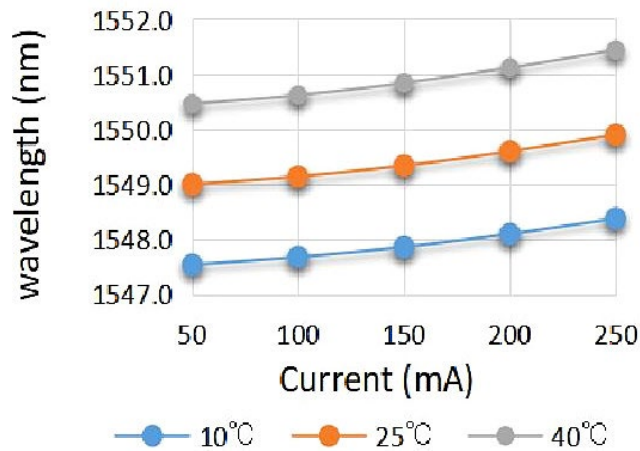
Wavelength Stability:



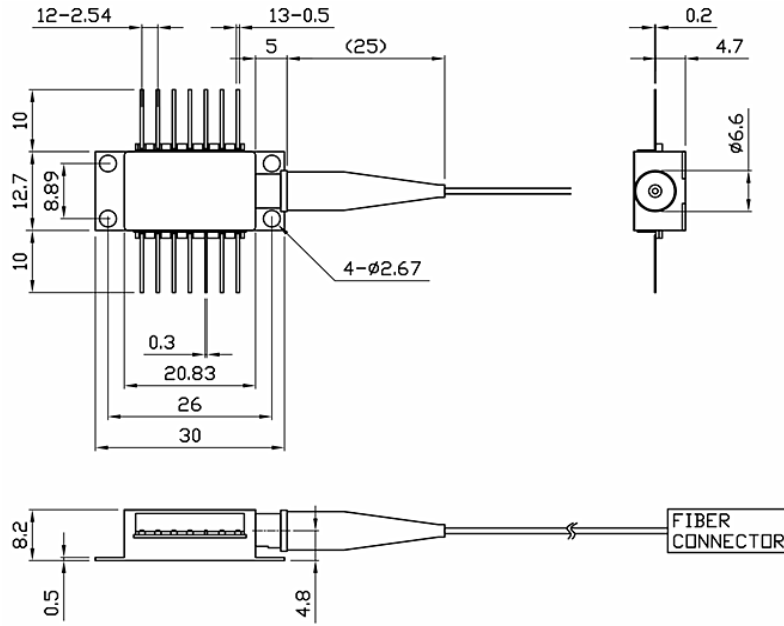
L-I Curve:



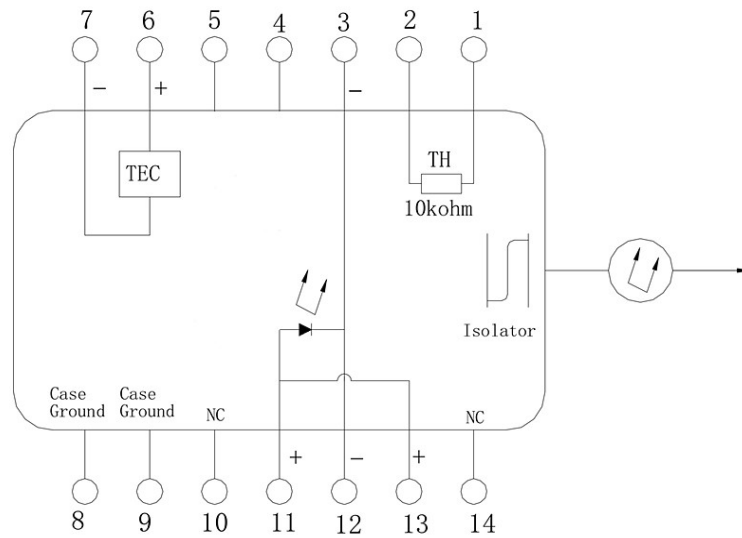
Tuning Characteristics:



Package Size:



Pin definition:



Pin	Function	Pin	Function
1	Thermistor	8	Case Ground
2	Thermistor	9	Case Ground
3	Laser Cathode (-)	10	NC
4	NC	11	Laser Anode (+)
5	NC	12	Laser Cathode (-)
6	TEC (+)	13	Laser Anode (+)
7	TEC (-)	14	NC

Absolute Maximum Ratings:

Item	Unit	Min	Typ	Max
Case Temperature	°C	-5	25	70
Chip Temperature	°C	+10	25	40
Operating Current	mA	0	280	300
Forward Voltage	V	0.8	1.2	1.8
TEC Current	A	-	-	1.2
Reverse Voltage (LD)	V	-	-	2.0
Reverse Voltage(PD)	V	-	-	20

Ordering Info:

PL-DFB-□□□□-△-☆-A8▽-XX-NL

□□□□: Wavelength

1392: 1392nm

1512: 1512nm

1550: 1550nm

1653.7: 1653.7nm

△:Typ Linewidth

500:500KHZ

☆: Output Power

10: 10mW

20: 20mW

60: 60mW

▽: Wavelength Tolerance

1: ±1nm

2: ±2nm

XX: Fiber and Connector Type

SA=SMF-28E+ FC/APC

SP=SMF-28E+ FC/PC

PP=PM Fiber+ FC/PC

PA=PM Fiber+ FC/APC

NL: Narrow Linewidth@500KHZ