

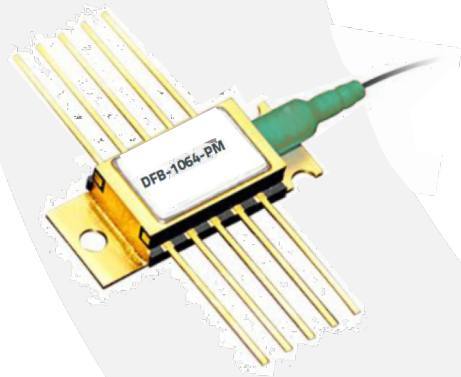
# DFB-1064-PM-100-CW

## Kokyo

株式会社光響

Email : [info@symphotony.com](mailto:info@symphotony.com)

Web : <https://www.symphotony.com/>



### DEVICE

## 1064 nm DFB Laser Diode, PM Output, 100 mW

### OVERVIEW

The Optilab DFB-1064-PM-100-CW is a Distributed FeedBack Laser designed for Continuous Wave (CW) operation. It is mostly utilized in combination with an external optical modulator, such as a Mach-Zehnder Interferometer (MZI) modulator. It offers a CW power output of 100 mW. Wavelength stabilized high power single mode laser module has been designed as a CW light source for narrow bandwidth fiber laser and direct frequency conversion applications. The DFB- xxxx-PM-200-CW can also be ordered with 1030 nm wavelength option. Contact Optilab for more information.

### FEATURES

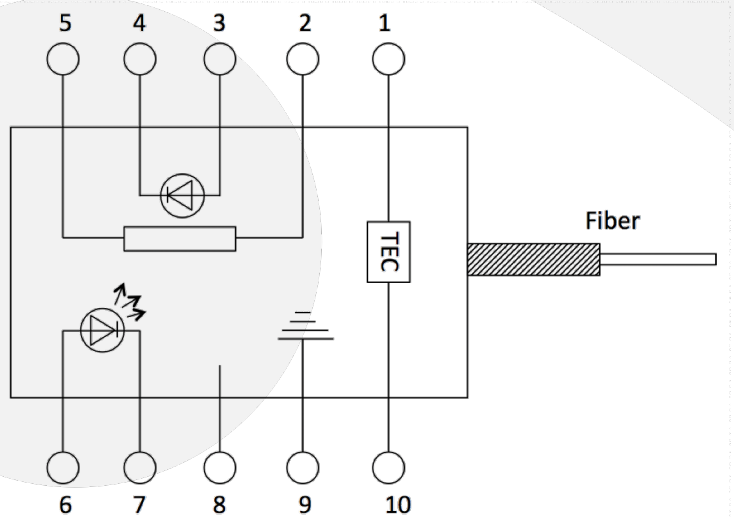
- Center wavelength: 1064±2 nm
- High Output CW power: 100 mW
- Built in isolator
- Built in TEC for wavelength tuning

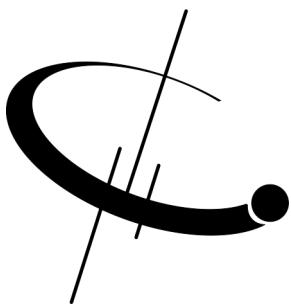
### USE IN

- LiDAR
- Fiber laser systems
- Free space communications
- Frequency conversion
- Optical spectroscopy

### PIN OUT DIAGRAM

- |                   |                  |
|-------------------|------------------|
| 1 TEC (+)         | 6 Laser Anode    |
| 2 Thermistor      | 7 Lser Cathode   |
| 3 Monitor Anode   | 8 NC             |
| 4 Monitor Cathode | 9 Package Ground |
| 5 Thermistor      | 10 TEC (-)       |





# DFB-1064-PM-100-CW

## SPECIFICATIONS

Center Wavelength Range	1064 ± 2 nm typ.
Wavelength Tuning Range	± 1 nm
Operating CW Current	400 mA max.
CW Output Power	100 mW typ.
Forward Voltage	2 V typ.
Threshold Current	25 mA typ.
Photodiode Dark Current	5 nA max.
Side Mode Suppression	30 dB min.
Linewidth	100 MHz typ.
Polarization Extinction Ratio	20 dB typ.

## GENERAL

Operating Temperature	-10°C to +60°C
Storage Temperature	-40°C to +85°C
Operating Humidity	95% @ < 30°C
Optical Fiber Type	PM 980
Optical Connector	FC/APC, others available

## MECHANICAL

Reverse Voltage	2 V
Operating Current	500 mA
PD Reverse Voltage	10 V
PD Forward Current	10 mA
TEC Current	4 V
TEC Voltage	2.2 A

## ABSOLUTE MAXIMUM RATINGS

## OPTIONS

### DFB-xxxx-PM-yy

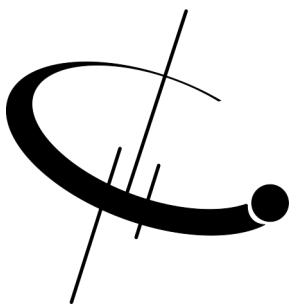
**xxxx:**

Wavelength in nm: 1030, 1064

**yy:**

Output Power in mW: 100





# DFB-1064-PM-100-CW

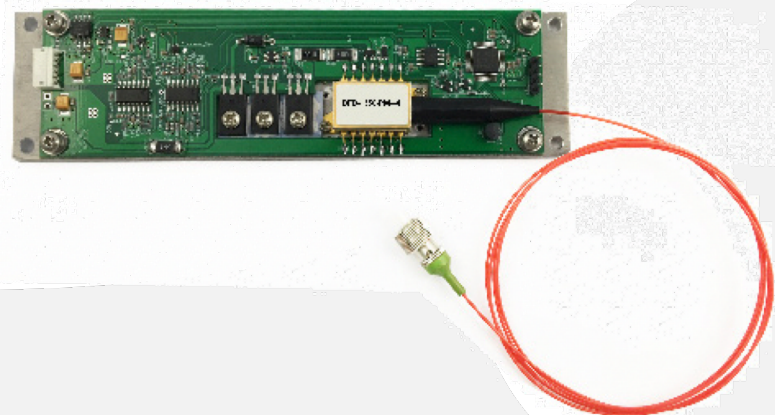
## AVAILABLE ACCESSORIES

### Universal Laser Diode Controller (ULDC)



ULDC is a fully integrated laser diode controller with precise current and temperature setting. With a Zero Insertion Force (ZIF) adaptor, ULDC can be used with all 14 pin laser diodes.

### DFB Laser Source Module, Polarization Maintaining (DFB-1064-PM-100-CW)



DFB-1064-PM-100-CW can be ordered as DFB-PM-M, which has DFB laser's operating temperature and output power precisely controlled to ensure constant wavelength and power stability. It can be used for module level integration system.

