

## 2000nm High Power PM Manual VOA

株式会社 光響  
 Email : info@symphotony.com  
 Web : https://www.symphotony.com/

### FEATURES

- ▣ Low Excess Loss
- ▣ Various Splitting Ratio
- ▣ Wide Passband
- ▣ High Stability and Reliability
- ▣ Epoxy Free Optical Path

### APPLICATIONS

- ▣ Optical Amplifier
- ▣ Optical Networks
- ▣ Power Monitoring
- ▣ Fiber Sensor
- ▣ Labs

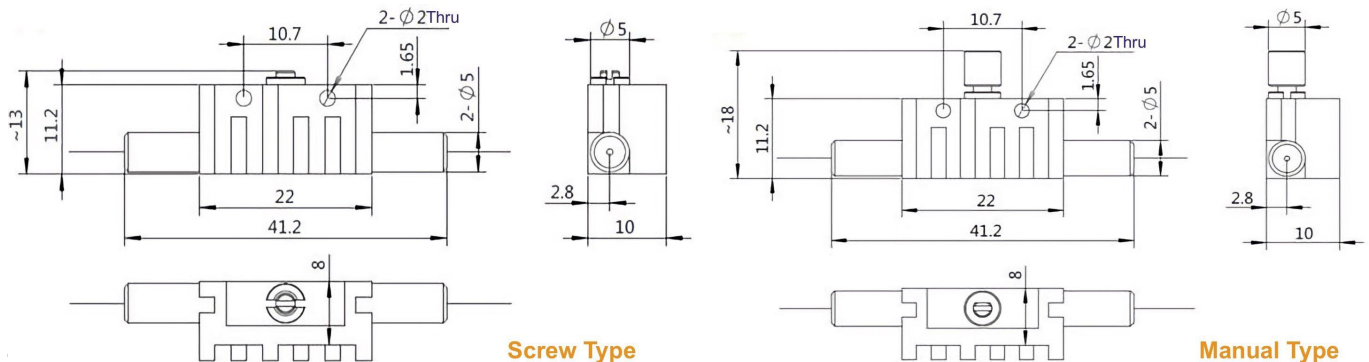


### SPECIFICATIONS

| Parameter                          | Unit | Value  |
|------------------------------------|------|--|
| Center Wavelength                  | nm   | 1900, 1950, 2000, 2050   |
| Bandwidth                          | nm   | +/-20  |
| Attenuation Range                  | dB   | 1.0~30   |
| Resolution (<10dB attenuation)     | dB   | 0.3  |
| ER (at lowest attenuation)         | dB   | ≥18  |
| Optical Return Loss                | dB   | ≥45  |
| Fiber Type                         | -    | PM1550 Panda Fiber or PM1950 Fiber (V)<br>10/130um PMDC Fiber (O) or 25/400um PMDC Fiber (R) |
| Fiber Tensile Load                 | N    | 5  |
| Max. Thru Optical Power (CW)       | W    | 1, 2, 3, 5, 10   |
| Max. Attenuated Optical Power (CW) | W    | 2  |
| Operating Temperature              | °C   | 0~50   |
| Storage Temperature                | °C   | -40~85   |

- Note:**
1. Specifications are for device without connectors; Specifications may change without notice.
  2. To add connectors, IL is 0.3dB higher, RL is 5dB lower, ER is 2dB Lower, Connector key is aligned to slow axis.
  3. Only guarantee 1W continuous wave (CW) power thru testing for connectors added.
  4. Devices for higher optical power or with other type fiber or consigned fiber are also available; Devices can only work in the core of Double Cladding (DC) Fiber, Cladding Power must be stripped before connecting the device.

### PACKAGE DIMENSION



### ORDERING INFORMATION (PN)

| Center Wavelength | Package              | Optical Power | Fiber Type          | Fiber Sleeve  | Fiber Length | Connector Type          |
|-------------------|----------------------|---------------|---------------------|---------------|--------------|-------------------------|
| 1900~1900nm       | M=Manual Type        | 1=1W          | 2=PM1550Fiber       | B= Bare fiber | 05=0.5m      | N=Without Connector     |
| 1950~1950nm       | Blank for Screw Type | 2=2W          | V=PM1950 Fiber      | L= Loose Tube | 10=1.0m      | FC/APC=FC/APC Connector |
| 2000~2000nm       |                      | 5=5W          | O=10/130 PMDC Fiber | 2= 2mm Cable  | 15=1.5m      | LC/PC=LC/PC Connector   |
| 2050~2050nm       |                      | 10=10W        | R=25/400 PMDC Fiber | 3= 3mm Cable  | 20=2.0m      | SC/UPC=SC/UPC Connector |