

2000nm PM Manual Adjustable Optical Attenuator

FEATURES

- Low Excess Loss
- Various Splitting Ratio
- Wide Passband
- High Stability and Reliability
- Epoxy Free Optical Path

APPLICATIONS

- Optical Amplifier
- Optical Networks
- Power Monitoring
- Fiber Sensor
- Labs

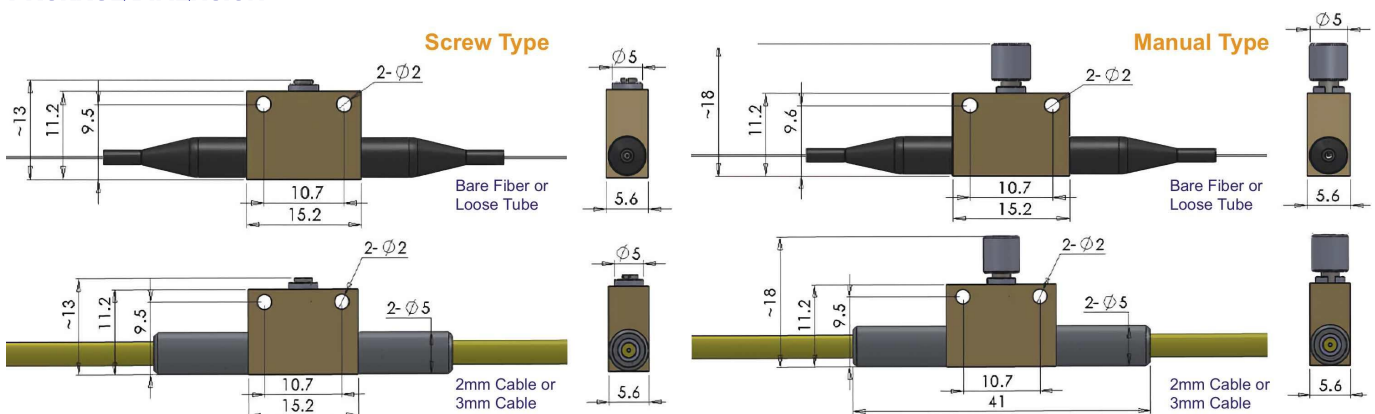


SPECIFICATIONS

Parameter	Unit	Value
Center Wavelength	nm	1900, 1950, 2000, 2050
Bandwidth	nm	+/-20
Attenuation Range	dB	1.0~30
Resolution (<10dB attenuation)	dB	0.3
ER (at lowest attenuation)	dB	≥20
Optical Return Loss	dB	≥45
Fiber Type	-	PM1550 Panda Fiber or PM1950 Fiber (V) 10/130um PMDC Fiber (O) or 25/400um PMDC Fiber (R)
Fiber Tensile Load	N	5
Max. Optical Power (CW)	mW	300
Operating Temperature	°C	0~50
Storage Temperature	°C	-40~85

- Note:**
1. Specifications are for device without connectors; Specifications may change without notice.
 2. To add connectors, IL is 0.3dB higher, RL is 5dB lower, ER is 2dB Lower, Connector key is aligned to slow axis.
 3. Devices for higher optical power or with other type fiber or consigned fiber are also available; Devices can only work in the core of Double Cladding (DC) Fiber, Cladding Power must be stripped before connecting the device.

PACKAGE DIMENSION



ORDERING INFORMATION (PN)

Center Wavelength	Package	Fiber Type	Fiber Sleeve	Fiber Length	Connector Type
1900=1900nm	M=Manual Type	2=PM1550Fiber	B= Bare fiber	05=0.5m	N=Without Connector
1950=1950nm	Blank for Screw Type	V=PM1950 Fiber	L= Loose Tube	10=1.0m	FC/APC=FC/APC Connector
2000=2000nm		O=10/130 PMDC Fiber	2= 2mm Cable	15=1.5m	LC/PC=LC/PC Connector
2050=2050nm		R=25/400 PMDC Fiber	3= 3mm Cable	20=2.0m	SC/UPC=SC/UPC Connector